

High Performance Fly-back PWM Controller for USB-PD

1 Descriptions

SC3001 is a high performance, multi-mode fly-back PWM controller (CCM/QR/DCM).

SC3001 provides an adaptive switching frequency fold-back to achieve higher efficiency in the whole loading range. At heavy load or full load, it operates up to maximum switching frequency. When loading decreases, it operates in green mode with valley switching for high efficiency. And at no load, the IC will operate in Burst mode to reduce power consumption.

It provides functions of low start-up current, fast start-up, low standby power consumption. The burst mode with extremely low operation current (185uA) and significantly reduces standby power consumption to meet the efficiency regulations.

SC3001 integrated the adaptive over current protection (AOCP), which allows controlling the maximum output current from primary-side. The AOCP is specially designed for USB-PD solutions, together with PD controller, such as SC21xx series. The AOCP can reduce the current stress of secondary synchronous rectification.

The SC3001 offers comprehensive protection to prevent the circuit from damage under abnormal conditions.

Furthermore, the features of frequency jittering and smart driving function can minimize the noise and improve EMI performance.

2 Features

- Internal Soft Start
- High Efficiency
 - CCM @ Heavy Load and Low Line
 - Valley switching operation @ Green mode
 - Burst Mode @ Light Load & No Load
- Ultra-low operation current @Burst mode/Fault Mode
- Adaptive over current protection
- Adaptive loop gain compensation
- Frequency Jitter for EMI improvement
- Driver capability: 300mA/-600mA
- Comprehensive Protection
 - VDD over voltage protection
 - VDD under voltage lock out
 - Cycle by cycle current limiting
 - Two level over current protection
 - Output over voltage protection
 - Adaptive output short protection
 - Over Load protection
 - Brown in/out with auto-recovery
- SOT23-6 package available

3 Applications

- USB-PD and QC Chargers
- AC-DC adapters for Portable Devices

4 Device Information

ORDER NUMBER	PACKAGE	BODY SIZE
SC3001XSBER	SOT23-6	2.9mm x 2.8mm x 1.1mm

SC3001xSBER Functional Table

ORDER NUMBER	SC3001A	SC3001B	SC3001C
Maximum Frequency	67KHz	85KHz	85KHz
With V_{ZCD0VP_SS}	/	Y	/
AOCP	A	A	/
Brown In/Out	A		
Valley Switching	Y		
Others Protections	A		

A: Auto-recovery;

Y: The feature is enabled

/ : The feature is not enabled

5 Typical Application Circuit

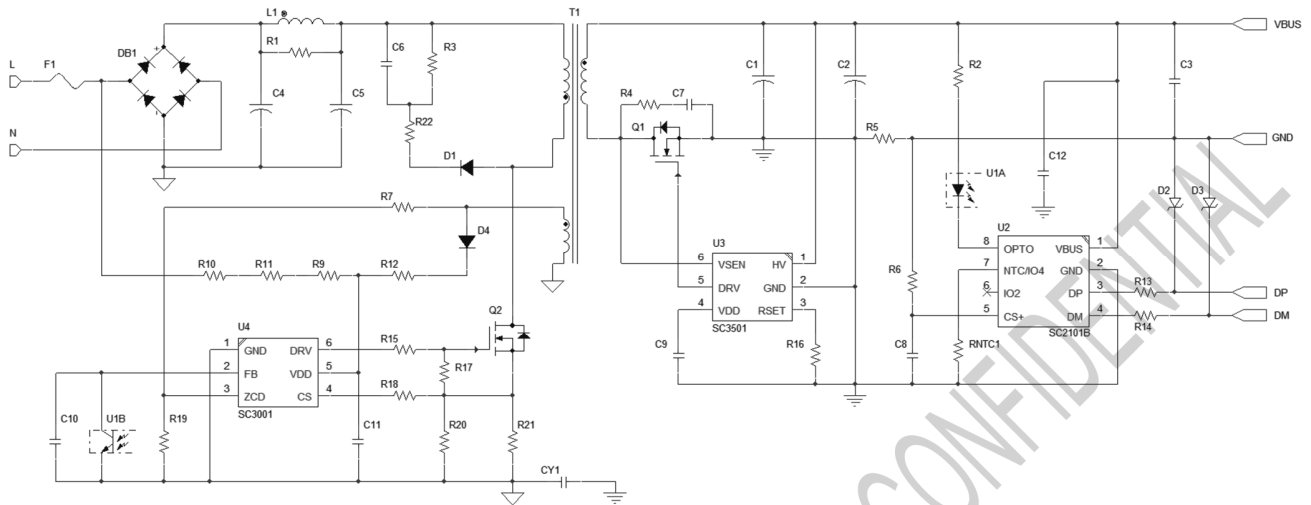


Fig. 1 Typical application circuit

6 Terminal Configuration and Functions

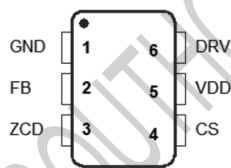


Fig. 2 Top view (SOT23-6)

TERMINAL		I/O	DESCRIPTION
NUMBER	NAME		
1	GND	PWR	Power Ground.
2	FB	I	Secondary side feedback through opto-coupler. A capacitor is needed to connect to GND.
3	ZCD	I	Voltage Sense. The ZCD voltage is used to detect resonant valleys for quasi-resonant switching. This pin detects the output voltage information and diode current discharge time based on the auxiliary winding voltage.
4	CS	I	Current Sense. This pin connects to a current-sense resistor to sense the MOSFET current for Peak-Current-Mode control.
5	VDD	PWR	Power Supply. This pin is typically connected to an external VDD capacitor.
6	DRV	O	Totem-pole output to drive the external power MOSFET, Maximum Voltage is clamped to 12V internally.

7 Specifications

7.1 Absolute Maximum Ratings

Over operating free-air temperature range (unless otherwise noted) ⁽¹⁾

Item	Description	Min.	Typ.	Max.	Unit
Voltage range at terminals ⁽²⁾	VDD to GND	-0.3	-	+40	V
	DRV to GND	-0.3	-	+20	V
	Other Pins to GND	-0.3	-	+6.5	V
T _J	Operating Junction temperature range	-40	-	150	°C
T _{stg}	Storage temperature range	-65	-	150	°C

(1) Stresses beyond those listed under *absolute maximum ratings* may cause permanent damage to the device. These are stress ratings only, and functional operation of the device at these or any other conditions beyond those indicated under *recommended operating conditions* is not implied. Exposure to absolute-maximum-rated conditions for extended periods may affect device reliability.

(2) All voltage values are with respect to network ground terminal.

7.2 Thermal Information

THERMAL RESISTANCE ⁽¹⁾		SOT23-6(2.9mmx2.9mm)	UNIT
θ _{JA}	Junction to ambient thermal resistance	220	°C/W
θ _{JC}	Junction to case resistance	110	°C/W

(1) Measured on JESD51-7, 2-layer PCB.

7.3 Handling Ratings

PARAMETER	DEFINITION	MIN	MAX	UNIT
ESD ⁽¹⁾	Human body model (HBM) ESD stress voltage ⁽²⁾	-2	+2	kV
	Charged device model (CDM) ESD stress voltage ⁽³⁾	-1	+1	kV

(1) Electrostatic discharge (ESD) to measure device sensitivity and immunity to damage caused by assembly line electrostatic discharges into the device.

(2) Level listed above is the passing level per ANSI, ESDA, and JEDEC JS-001. JEDEC document JEP155 states that 500-V HBM allows safe manufacturing with a standard ESD control process.

(3) Level listed above is the passing level per EIA-JEDEC JESD22-C101. JEDEC document JEP157 states that 250-V CDM allows safe manufacturing with a standard ESD control process.

7.4 Recommended Operating Conditions

PARAMETER	TEST CONDITIONS	MIN	TYP	MAX	UNIT
VDD to GND	VDD voltage range to GND	10		V _{DDOVP}	V
DRV to GND	DRV voltage range to GND	0		15	V
Others to GND	Other pins voltage range to GND	0		5.5	V
C _{VDD}	VDD Capacitor	2.2		22	uF
T _A	Operating ambient temperature	-40		85	°C
T _J	Operating junction temperature	-40		125	°C

7.5 Electrical Characteristics

VDD=15V, T_J= -40°C~125°C, unless otherwise noted.

PARAMETER	TEST CONDITIONS	MIN	TYP	MAX	UNIT		
SUPPLY VOLTAGE (VDD)							
V _{DDON}	VDD on threshold voltage	15.4	16.2	17.0	V		
V _{DDOFF}	VDD off threshold voltage	7.0	7.5	8.0	V		
V _{DDHOLDL}	VDD holding entry point voltage		7.9		V		
V _{DDHOLDH}	VDD holding exit point voltage		8.5		V		
I _{ST}	Startup current	VDD < V _{DDON} -1V		2.5	8.0	uA	
I _{VDD}	Operating current	Cload = 1nF		2		mA	
I _{VDDBT}	Burst mode current	V _{FB} < 0.5V		185	220	uA	
I _{VDDFAULT}	Hold up current in fault mode		80			uA	
T _{FAULT}	Hold on time in fault mode		1			s	
I _{VDDFAULT1}	VDD sink current	After T _{FAULT} 1S		1.2	2.0	mA	
V _{DDOVP}	VDD OVP	34.5	36.2	38.0		V	
I _{VDDOVP}	VDD OVP sink current	V _{DD} > 37.5V		3		mA	
T _{VDDOVP}	VDD OVP debounce time		160			us	
ZERO VOLTAGE DETECTION (ZCD)							
V _{ZCDOVP_SS}	ZCD OVP in start up	After V _{DDON} , within 8mS		1.63		V	
V _{ZCDOVP}	ZCD OVP	After start up		3.37	3.55	3.73	V
N _{ZCDOVP}	ZCD OVP debounce counter		4			Cycles	
I _{ZCDMAX}	Maximum ZCD Clamp source current			1		mA	
V _{ZCDCLAMP}	ZCD Clamp voltage	I _{ZCDCLAMP} =1.0mA		-120		mV	
T _{LEB1OVP}	Leading edge blanking time1	FB = 0.65V		1.6		us	
T _{LEB2OVP}	Leading edge blanking time2	FB = 2.20V		2.3		us	
V _{ZCDH}	ZCD valley detection rising edge	V _{DRV} = low		0.40	0.45	0.50	V
I _{ZCDBI}	Line voltage brown in clamp current threshold in ZCD			135	155	175	uA
I _{ZCDBO}	Line voltage brown out clamp current threshold in ZCD			115	140	165	uA
T _{DZCDBO}	ZCD brown out debounce time			64		ms	
I _{LINECOMPST}	Line voltage compensation threshold ZCD clamp current			210		uA	
K _{LINECOMP}	The ratio of line voltage compensation			0.17	0.20	0.22	
FEEDBACK VOLTAGE (FB)							
V _{FBOPEN}	Open Loop Voltage	I _{FB} = 0		2.80	3.0	3.2	V
R _{FB}	FB pull-up resistor			8			kΩ
V _{FBOLP}	OLP			2.30	2.50	2.7	V
T _{FBOLP}	Debounce time of FB open loop protection	V _{FB} > 2.8V		64			ms

V _{FBBSTH}	FB voltage when DRV starts pulsing		0.4	0.6	V	
V _{FBBSTHYS}	V _{FBBSTH} hysteresis voltage			0.1	V	
CURRENT SENSE (CS)						
T _{SSCS}	Soft start time of CS threshold			5	ms	
V _{CSSLIMIT}	Cycle by cycle current limited		0.47	0.495	0.52	V
T _{LEBCBC}	Leading edge blanking time			350	ns	
V _{CS_SSCP}	Secondary rectifier short protection		0.9	1.0	1.1	V
N _{CS_SSCP}	Secondary rectifier short circuit protection debounce counter			3	Cycles	
T _{LEBSSCP}	Leading edge blanking time			200	ns	
V _{CSSLOPE}	Slope compensation			15	mV/us	
V _{CSMIN}	CS minimum voltage			0.1	V	
ΔV _{CS}	CS jitter			±5	%	
T _{JIT}	CS jitter cycle			480	cycles	
GATE DRIVER (DRV)						
V _{OL}	Driver output low voltage	V _{DD} =15V		0.5	V	
V _{OH}	Driver output high voltage	V _{DD} =15V	8.0		V	
V _{OH2}	Driver output high voltage2	V _{DD} >V _{DDOFF}	6.0		V	
I _{DRVSOURCE}	DRV maximum source current	V _{DRV} < 1V		300	mA	
I _{DRVSINK}	DRV maximum sink current	V _{DRV} > 9V		600	mA	
V _{CLAMP}	Output clamp voltage			11	V	
T _R	Output rising time 1.2V ~ 10.8V	CL=1nF		200	ns	
T _F	Output falling time 10.8V ~ 1.2V	CL=1nF		50	ns	
Oscillator for Switching Frequency						
F _{SWMAX}	Maximum switching frequency	SC3001A		67	kHz	
		SC3001B/SC3001C		85		
F _{SWMIN}	Minimum switching frequency			21	kHz	
T _{OFFMAX}	Maximum off time	After SS, without ZCD		150	us	
D _{MAX}	Maximum duty cycle			78	%	
Internal Over-Temperature Protection (OTP)						
OTP _H	OTP Temperature			150	°C	
OTP _{HYS}	OTP Hysteresis			30	°C	

8 Functional Block Diagram

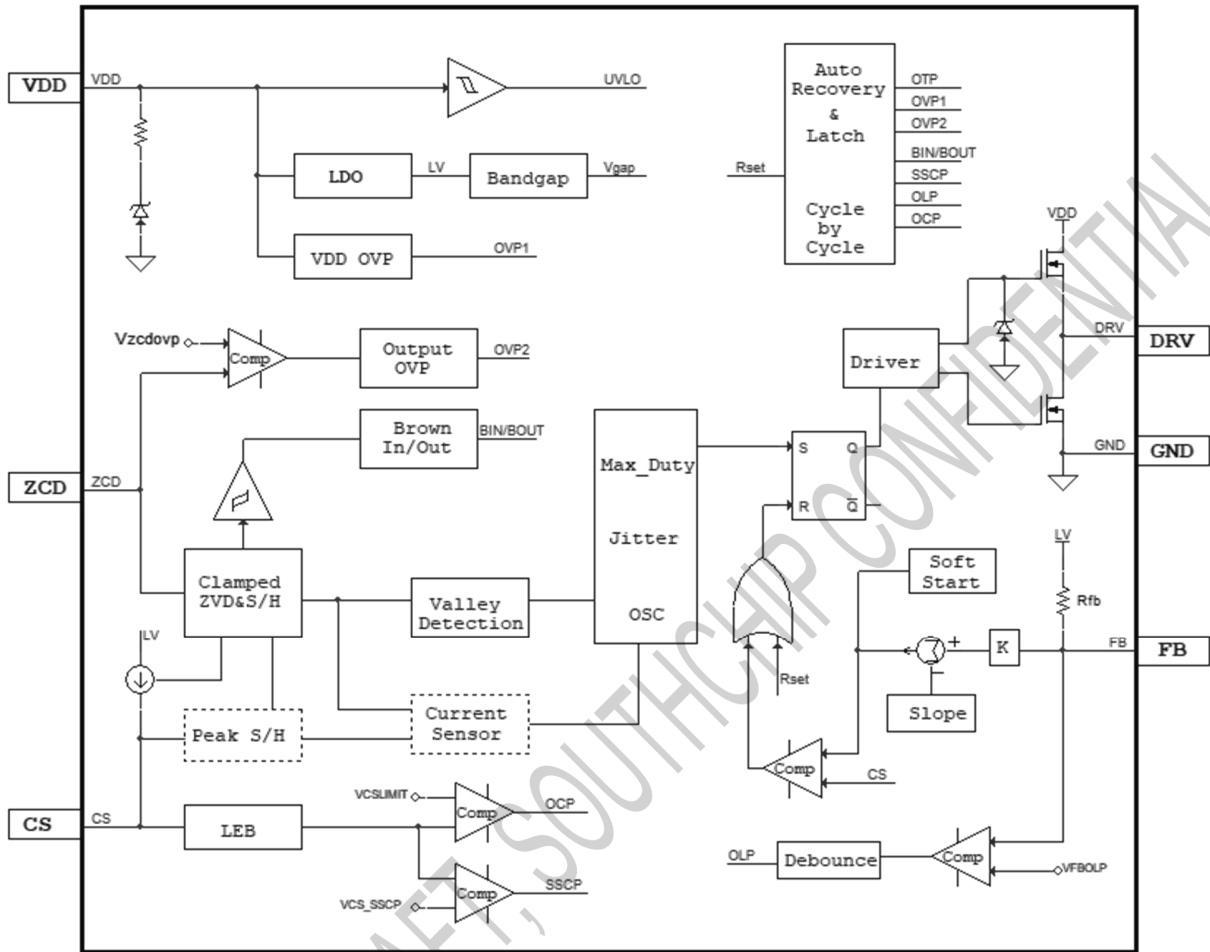


Fig. 3 Function Block Diagram

9 Feature Description

SC3001 is designed for USB-PD solutions, together with PD controller, such as SC21xx series. SC3001 provides an adaptive switching frequency fold-back to achieve higher efficiency in the whole loading range. At heavy load or full load, it operates up to maximum switching frequency. When loading decreases, it operates in green mode with valley switching for high efficiency. And at no load, the IC will operate in Burst mode to reduce power consumption.

9.1 Start-up

During the startup period, the controller draws a little current I_{VDD} less than 2uA. This allows a high-impedance start-up resistor, which offers a convenient and efficient way to reduce the standby power.

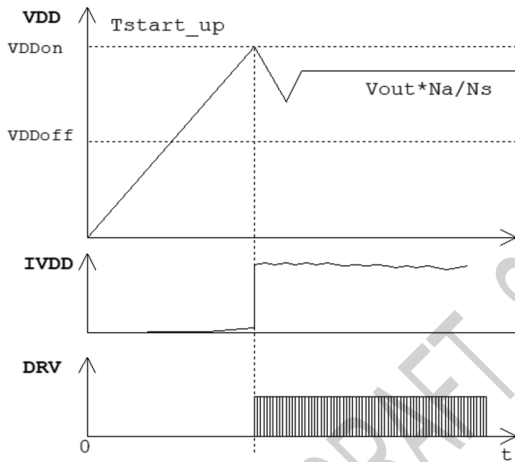


Fig. 4 VDD start-up waveform

The start-up time can be estimated by the following equation:

$$T_{START-UP} \approx \frac{C_{VDD} * V_{DDON}}{V_{BULK}} * R_{STARTUP}$$

Where, C_{VDD} is VDD cap, V_{BULK} is the bulk cap voltage, $R_{STARTUP}$ is the resistor connected between bulk cap positive terminal and VDD cap.

An integrated 5ms soft start is used in the chip to reduce the voltage and current stress. During the soft start-up period, the V_{cs} threshold gradually rises from 0.1V to 0.5V. Once the secondary side regulation loop is stable, the V_{cs} is controlled by the feedback loop.

9.2 VDD UVLO

A hysteresis Under Voltage Lock Out (UVLO) comparator is implemented in SC3001. The turn-on and turn-off thresholds are fixed at 16.5V and 7.5V respectively. This hysteresis ensures that the VDD capacitor can be small enough during start-up. A large hysteresis is essential to ensure the IC work properly during the start-up period, even for a small VDD capacitor.

9.3 VDD Holding Mode

After the system starts, the VDD capacitor can be charged by the auxiliary winding. There are some operation condition changes (load changes, output voltage adjustment, burst mode), may lead the primary side DRV stop working when the output value is higher than the set value. Furthermore, the VDD voltage will be lower than V_{DDOFF} and the system will stop. To avoid this situation, a VDD holding circuitry is designed, which starts working when VDD drops below $V_{DDHOLDL}$ and stops working when VDD rises above $V_{DDHOLDH}$. The working process is shown in below:

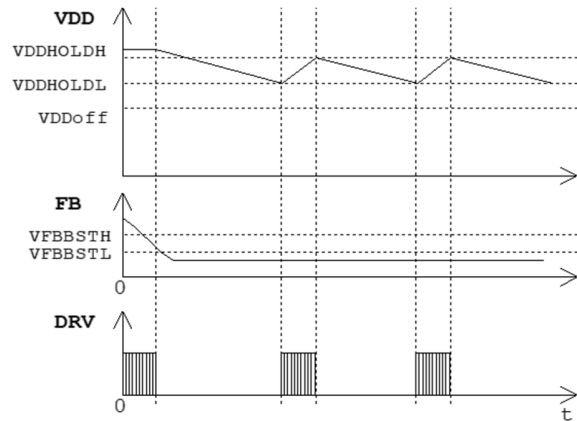


Fig. 5 VDD holding circuitry

9.4 Brown IN/OUT Detection

The ZCD pin is used to monitor the voltage on the Bulk capacitor and perform brown In/Out. Working principle: When the primary switch is turned on, the voltage V_{AUX} on the auxiliary winding is negative. The value of V_{AUX} is proportional to the line voltage. The clamp circuit built in the ZCD pin clamps the voltage of the ZCD to $V_{ZCDCLAMP}$ through a current source.

The detailed equations are shown as below:

$$\frac{V_{AUX}}{R_{ZCD-UP}} = I_{ZCDCLAP} \text{ and } V_{AUX} = \frac{V_{BULK}}{N_P} * N_{AUX}$$

The V_{AUX} is negatively associated with I_{ZCD} . V_{AUX} is a negative value. When I_{ZCD} is greater than I_{ZCDBI} , the Brown in process is executed and the system starts to work. When the value of I_{ZCD} is less than I_{ZCDBO} and lasts for a certain period of time, the line voltage is considered to be too low and brown out protection is triggered.

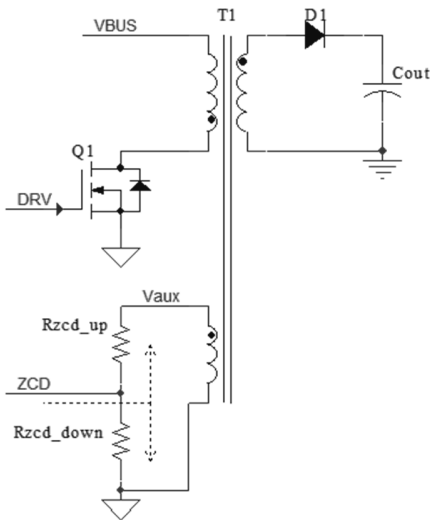


Fig. 6. Brown In/Out detection

9.5 Operation Mode

SC3001 provides an adaptive switching frequency fold-back to achieve higher efficiency in the whole loading range. At heavy load or full load, it operates up to maximum switching frequency. When loading decreases, it operates in green mode with valley switching for high efficiency. And at no load, the IC will operate in Burst mode to reduce power consumption.

When the system is under no load or extremely light load, the IC will operate in BURST mode to reduce power dissipation. In this condition, switching loss of MOSFET is the main power dissipation. The DRV will be disabled immediately if V_{FB} drops below V_{FBBSTL} . When V_{FB} rises up to V_{FBBSTH} , the DRV starts to pulse again.

When under medium load condition, the system operates in green mode (DCM or QR). The switching frequency will linearly increase from 21kHz to maximum switching

frequency. That means, when load increases, the switching frequency is increased.

9.6 Valley Switching

ZCD pin can detect the freewheel information on the secondary side. In QR mode, when the voltage of ZCD turns to a negative value, it means that after a quarter of the resonant period, the primary MOS can be turned on, and valley opening helps to improve efficiency and improve EMI performance. In order to achieve the best valley opening, it can be achieved by appropriately adjusting T_{DZCD} and T_{DDRV} , where T_{DPG} is an internal fixed delay. T_{DZCD} can be adjusted by connecting a small capacitor in parallel with $R_{ZCDDWON}$. The recommended value is 10 ~ 22pF. T_{DDRV} can be adjusted by connecting DRV resistors in series.

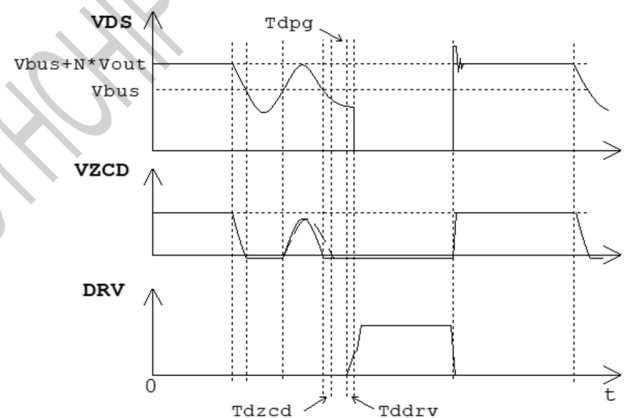


Fig. 7 Valley Switching

9.7 Internal Slope Compensation

A slope compensation circuitry is built-in to simplify the system design. When the switcher is on, a ramp voltage is added to the sensed voltage across the CS pin, which helps to stabilize the system and prevent sub-harmonic oscillations.

9.8 Auto-Recovery after Failure

SC3001 has complete protection functions, such as: VDD over voltage protection, VDD under voltage lock out, two level over current protection, output over voltage protection, Output short protection, over Load protection, brown IN/Out with auto-recovery. Unless otherwise specified, these protections are auto-recovery. After the protection is

triggered, the system enters the protection mode, and the VDD power consumption is reduced. After the T_{DFault} delay, the VDD sink current increases until V_{DDOFF} , and VDD starts the restart process. The detailed process is as follows.

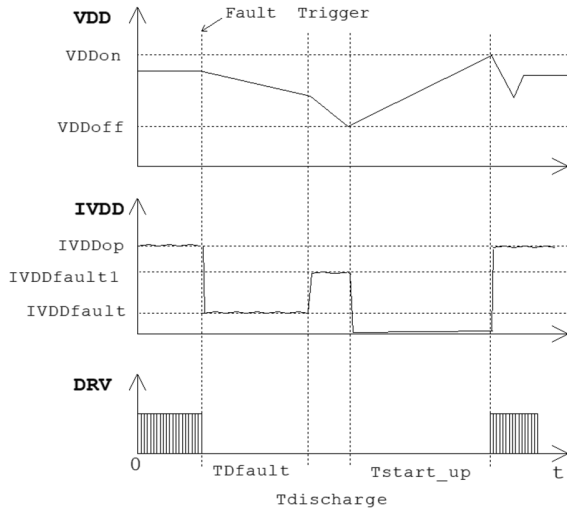


Fig. 8 Auto-Recovery Process

9.9 VDD OVP

When the VDD voltage is higher than the V_{DDOVP} threshold voltage at least T_{VDDOVP} , in the case of a sink current of I_{VDDOVP} , DRV will be shut down. The VDD OVP function is an auto-recovery protection.

9.10 ZCD OVP

The auxiliary winding demagnetization voltage V_{AUX} is proportional to the output voltage. V_{ZCD} sensing the V_{AUX} via the divided resistors can be used to sample the output voltage after some blanking time. The output over voltage can be calculated as:

$$\frac{V_{AUX} * R_{ZCD-DOWN}}{R_{ZCD-DOWN} + R_{ZCD-UP}} > V_{ZCDOVP}$$

$$\frac{V_{AUX}}{N_A} = \frac{V_{OUT}}{N_S}$$

The blanking time can ignore the voltage ringing from leakage inductance of transformer. With the increase of VFB, the blanking time is from 1.4uS to 2.15uS.

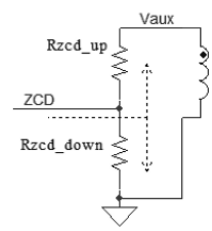


Fig. 9 ZCD Over Voltage Protection

9.11 Over Current Protection

Two levels of overcurrent protection are integrated. One is cycle-by-cycle current limiting for overload protection. V_{CSsSCP} is the fast protection for the case of secondary rectifier rectification shorted. The overcurrent protection and its shielding time are shown in the figure below.

SC3001 integrated the adaptive over current protection (AOCP), which allows controlling the maximum output current from primary-side in width output voltage range.

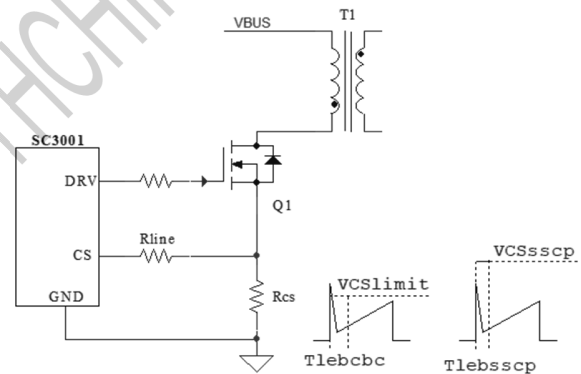


Fig. 10 LEB of OCP

9.12 Adaptive Over Load Protection (AOLP)

An adaptive over load protection is implemented in the SC3001. When the voltage of VFB is higher than V_{FBOLP} and lasts for a period of time T_{FBOLP} , overload protection will be triggered. In particular, when the voltage of VFB is higher than V_{FBOLP} , if the peak voltage of ZCD pin is lower than V_{ZCDH} , the delay of T_{FBOLP} will be shortened. In the Fig.10, when V_{ZCD} is lower than V_{ZCDH} , the coefficient K is less than 1. The AOLP can reduce the power loss when secondary side is shorted.

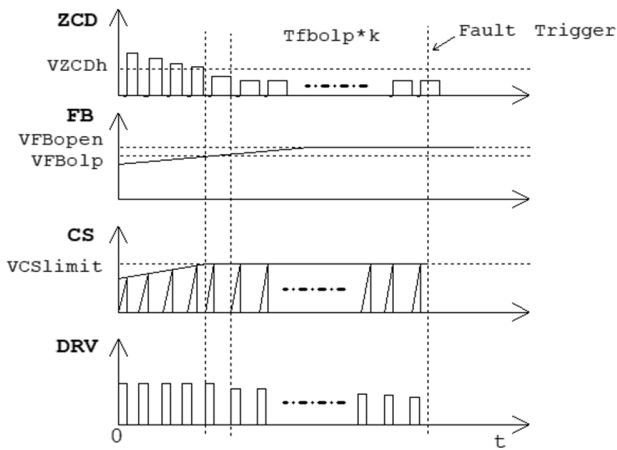


Fig. 11 Adaptive Over Load Protection

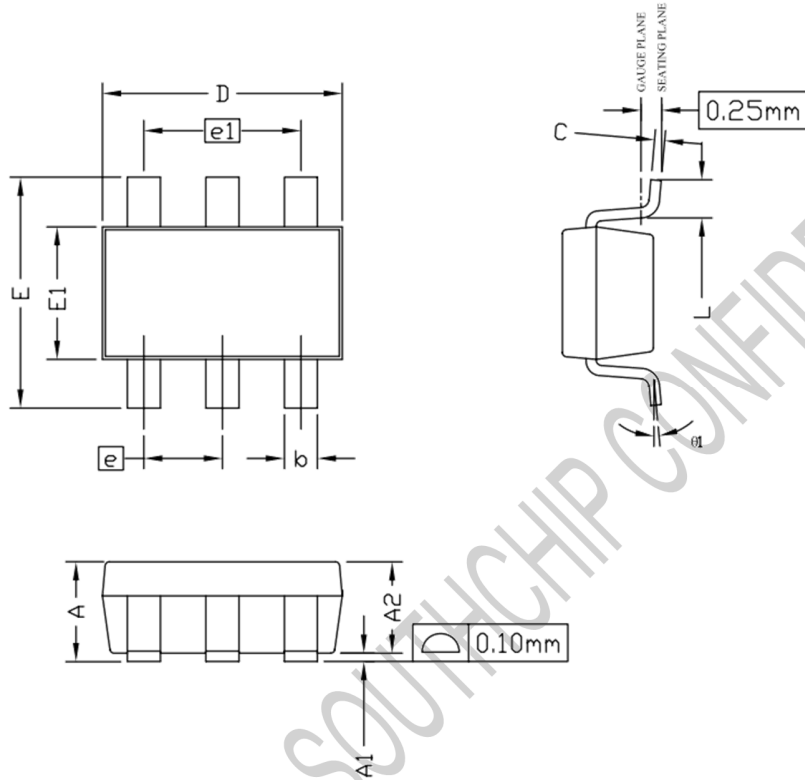
9.13 On-Chip OTP

An internal OTP circuit is embedded inside to provide the worst-case protection for SC3001. When the chip temperature rises higher than the OTP_H , the controller will be disabled and works in the failure mode until the chip is cooled down below the hysteresis OTP_{HYS} .

DATASHEET DRAFT, SOUTHCHIP CONFIDENTIAL

MECHANICAL DATA

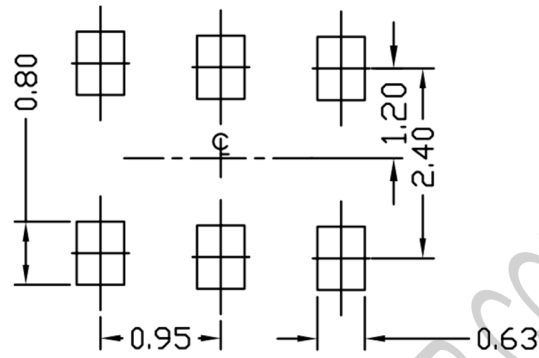
SOT23-6 (2.9mmx2.8mmx1.1mm)



SYMBOLS	DIMENSIONS IN MILLIMETERS			DIMENSIONS IN INCHES		
	MIN	NOM	MAX	MIN	NOM	MAX
A	0.90	---	1.25	0.035	---	0.049
A1	0.00	---	0.15	0.00	---	0.006
A2	0.70	1.10	1.20	0.028	0.043	0.047
b	0.30	0.40	0.50	0.012	0.016	0.020
C	0.08	0.13	0.20	0.003	0.005	0.008
D	2.70	2.90	3.10	0.106	0.114	0.122
E	2.50	2.80	3.10	0.098	0.110	0.122
E1	1.50	1.60	1.70	0.059	0.063	0.067
e	0.95 BSC.			0.037BSC.		
e1	1.90 BSC.			0.075 BSC.		
L	0.30	---	0.60	0.012	---	0.024
θ1	0°	---	8°	0°	---	8°

RECOMMENDED FOOTPRINT

Example Board Layout



UNIT: mm

NOTES:

- A. Publication IPC-7351 is recommended for alternate designs
- B. Customers should contact their board fabrication site for recommended solder mask tolerances and via tenting recommendations for vias placed in the thermal pad